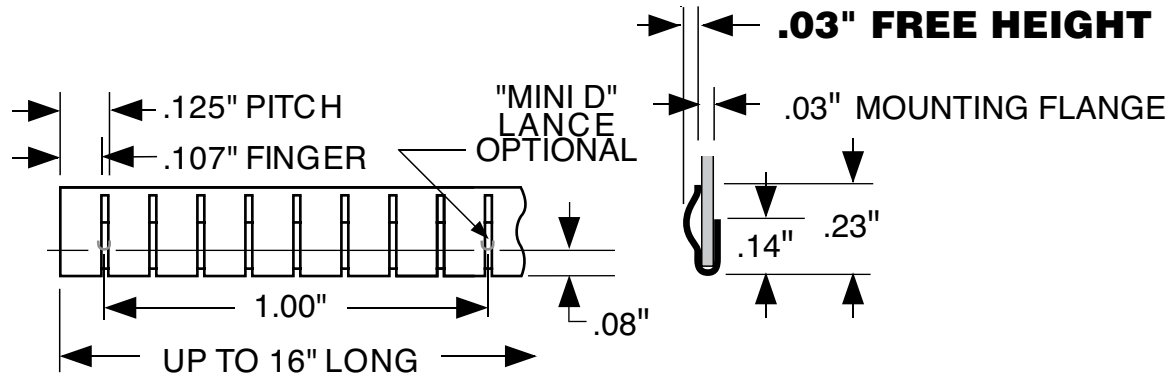


FINISH CODES

FILL IN SHADED AREAS TO COMPLETE THE PART DESCRIPTION



SEE NOTE 3

TECH-ETCH MANUFACTURING PART NUMBER

125G23C040 - - (PROFILE) - (LENGTH) - (FINISH)
LENGTH CALCULATOR FOR PART NUMBER ABOVE CLICK HERE FOR STOCK LENGTH, OR ENTER NUMBER OF FINGERS HERE:

NOTES:

1. MATERIAL .002 BeCu, C17200 HARDENED.
2. FINISH: AS SPECIFIED - SEE TOP LEFT.
- 3 STRIPS MAY BE SUPPLIED CUT TO ANY FULL FINGER INCREMENT.
ALLOWED LENGTHS = NUMBER OF FINGERS MINUS SLOT WIDTH.
4. UNLESS OTHERWISE SPECIFIED DIMENSIONS ARE IN INCHES.

UNLESS OTHERWISE SPECIFIED ALL TOLERANCES TO BE: .XX ±.02 .XXX ±.005 .X ±.005/in.	<p>45 Aldrin Road, Plymouth, MA 02360 TEL 508-747-0300 • FAX 508-746-9639 sales@tech-etch.com • www.tech-etch.com</p>
SCALE: <div style="text-align: center; font-size: 1.2em; font-weight: bold;">200%</div>	CATALOG PROFILE: <div style="text-align: center; font-size: 1.2em; font-weight: bold;">125G23C040</div>
DATE:	PART NAME: <div style="text-align: center; font-size: 1.2em; font-weight: bold;">Clip-on Low Profile</div>
CUSTOMER PART NUMBER:	