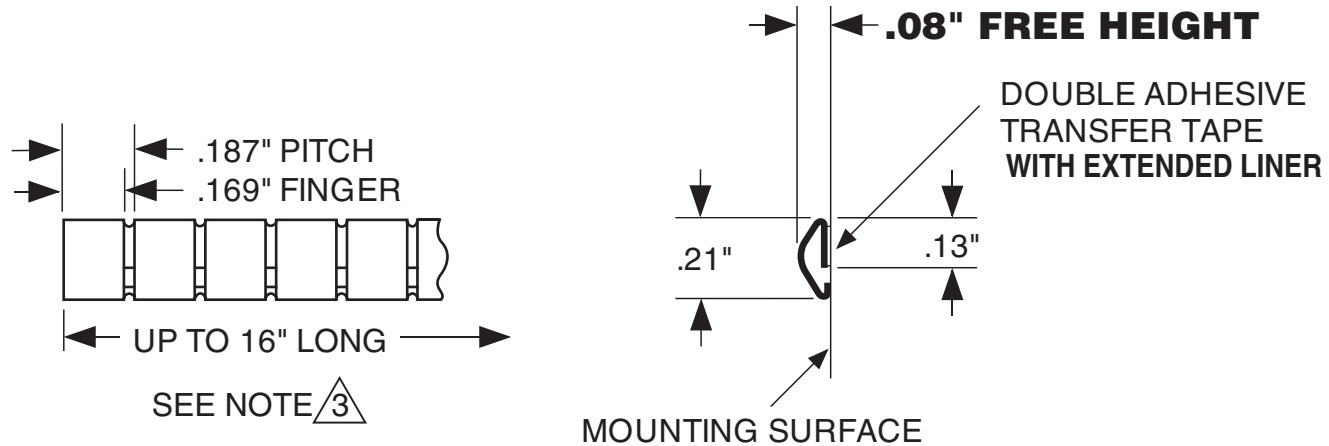


FINISH CODES

FILL IN SHADED AREAS TO COMPLETE THE PART DESCRIPTION



TECH-ETCH MANUFACTURING PART NUMBER

187P21 - -
(PROFILE) - (LENGTH) - (FINISH)

LENGTH CALCULATOR FOR PART NUMBER ABOVE

CLICK HERE FOR STOCK LENGTH,
OR ENTER NUMBER OF FINGERS HERE:

NOTES:

1. MATERIAL ~~Al-EG-18~~ ~~Al-EG-18~~ Cu, C17200 HARDENED.
2. FINISH: AS SPECIFIED - SEE TOP LEFT.
3. STRIPS MAY BE SUPPLIED CUT TO ANY FULL FINGER INCREMENT. ALLOWED LENGTHS = NUMBER OF FINGERS MINUS SLOT WIDTH.
4. UNLESS OTHERWISE SPECIFIED DIMENSIONS ARE IN INCHES.

UNLESS OTHERWISE
SPECIFIED ALL
TOLERANCES TO BE:

.XX ±.02
.XXX ±.005
.X ±.005/in.

Tech-Etch

45 Aldrin Road, Plymouth, MA 02360
TEL 508-747-0300 • FAX 508-746-9639
sales@tech-etch.com • www.tech-etch.com

SCALE:
200%

CATALOG PROFILE:
187P21

DATE:
5/1/03

PART NAME:
Stick-on Soft No-snap Fingers

CUSTOMER PART NUMBER: