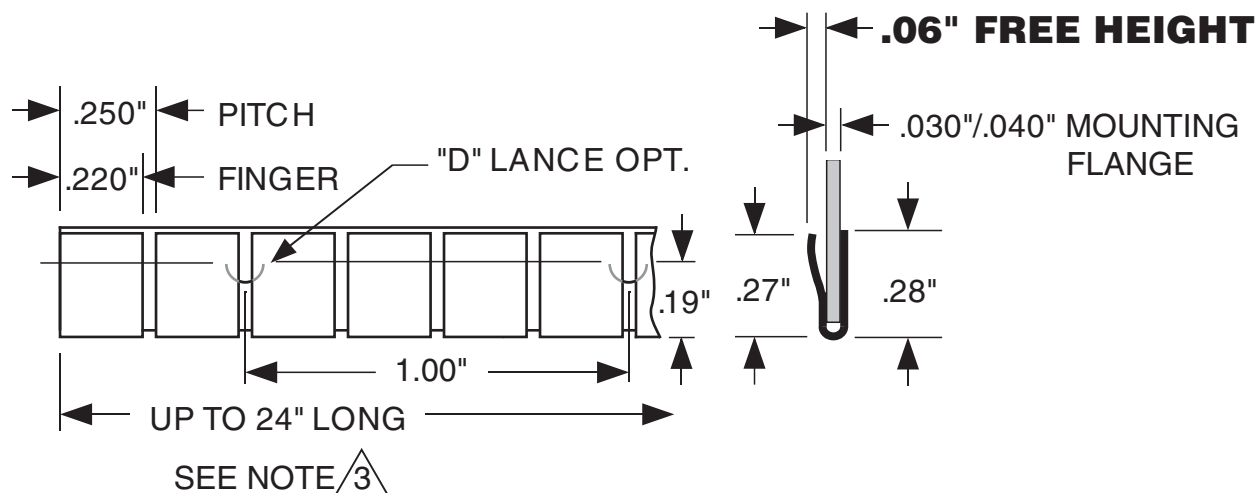


### FINISH CODES

### FILL IN SHADED AREAS TO COMPLETE THE PART DESCRIPTION



#### TECH-ETCH MANUFACTURING PART NUMBER

250C040 - -		
(PROFILE)	(LENGTH)	(FINISH)
CHOOSE	STANDARD THICKNESS OR	“TF” THICKNESS
<b>LENGTH CALCULATOR FOR PART NUMBER ABOVE</b>		
CLICK HERE FOR STOCK LENGTH,		
OR ENTER NUMBER OF FINGERS HERE:		

#### NOTES:

1. MATERIAL: ~~1/4c~~ ~~1/8c~~ ~~1/2c~~ ~~3/4c~~ ~~1c~~ Cu, C17200 HARDENED.
2. FINISH: AS SPECIFIED - SEE TOP LEFT.
3. STRIPS MAY BE SUPPLIED CUT TO ANY FULL FINGER INCREMENT. ALLOWED LENGTHS = NUMBER OF FINGERS MINUS SLOT WIDTH.
4. UNLESS OTHERWISE SPECIFIED DIMENSIONS ARE IN INCHES.

UNLESS OTHERWISE SPECIFIED ALL TOLERANCES TO BE:  .XX ±.02 .XXX ±.005 .X ±.005/in.	<b>Tech-Etch</b>	
	45 Aldrin Road, Plymouth, MA 02360 TEL 508-747-0300 • FAX 508-746-9639 sales@tech-etch.com • www.tech-etch.com	
	SCALE:	CATALOG PROFILE:
	<b>200%</b>	<b>250C040</b>
DATE:	PART NAME:	
<b>5/1/03</b>	<b>Clip-on Low Profile</b>	
CUSTOMER PART NUMBER:		