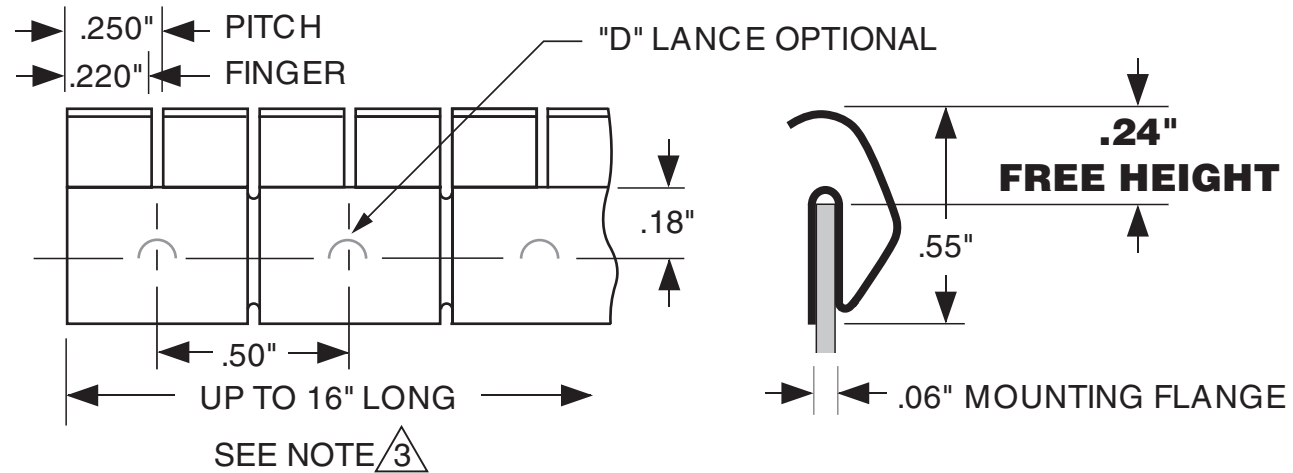


**FINISH CODES**

**FILL IN SHADED AREAS TO COMPLETE THE PART DESCRIPTION**



**TECH-ETCH MANUFACTURING PART NUMBER**

250K4C070	-	-
(PROFILE)	-	(LENGTH) - (FINISH)
CHOOSE	STANDARD THICKNESS OR	"TF" THICKNESS
<b>LENGTH CALCULATOR FOR PART NUMBER ABOVE</b>		
CLICK HERE FOR STOCK LENGTH, OR ENTER NUMBER OF FINGERS HERE:		

NOTES:

- MATERIAL ~~AlCu~~ ~~Al~~ AlCu, C17200 HARDENED.
- FINISH: AS SPECIFIED - SEE TOP LEFT.
- STRIPS MAY BE SUPPLIED CUT TO ANY FULL FINGER INCREMENT.  
ALLOWED LENGTHS = NUMBER OF FINGERS MINUS SLOT WIDTH.
- UNLESS OTHERWISE SPECIFIED DIMENSIONS ARE IN INCHES.

UNLESS OTHERWISE SPECIFIED ALL TOLERANCES TO BE:

- .XX ±.02
- .XXX ±.005
- .X ±.005/in.

**Tech-Etch**

45 Aldrin Road, Plymouth, MA 02360  
 TEL 508-747-0300 • FAX 508-746-9639  
 sales@tech-etch.com • www.tech-etch.com

SCALE:

200%

CATALOG PROFILE:

250K4C070

DATE:

1/29/04

PART NAME:

Clip-on Perpendicular Contact

CUSTOMER PART NUMBER: