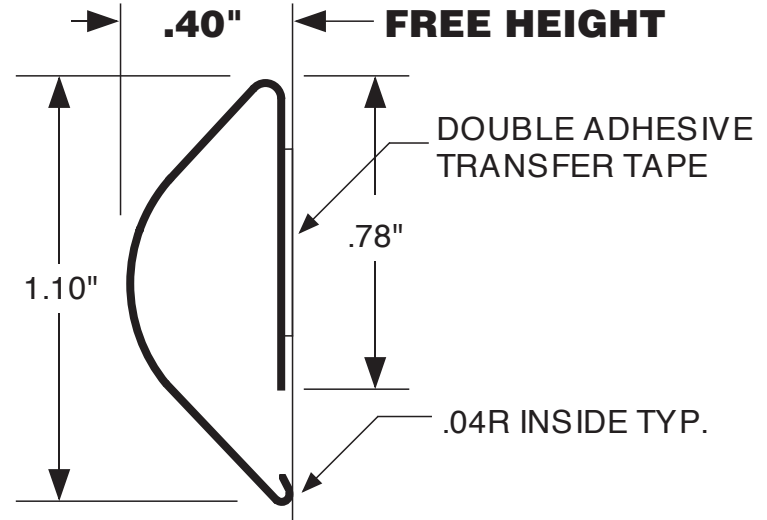
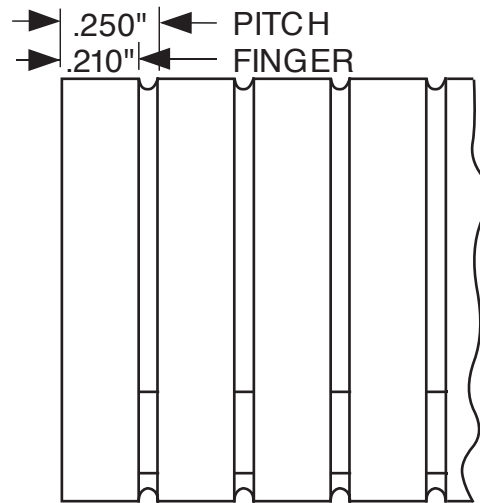


FINISH CODES

FILL IN SHADED AREAS TO COMPLETE THE PART DESCRIPTION



UP TO 18" LONG

SEE NOTE 3

TECH-ETCH MANUFACTURING PART NUMBER

250P110 - - (PROFILE) - (LENGTH) - (FINISH)
LENGTH CALCULATOR FOR PART NUMBER ABOVE CLICK HERE FOR STOCK LENGTH, OR ENTER NUMBER OF FINGERS HERE:

NOTES:

1. MATERIAL .005" BeCu, C17200 HARDENED.
2. FINISH: AS SPECIFIED - SEE TOP LEFT.
- 3 STRIPS MAY BE SUPPLIED CUT TO ANY FULL FINGER INCREMENT.
ALLOWED LENGTHS = NUMBER OF FINGERS MINUS SLOT WIDTH.
4. UNLESS OTHERWISE SPECIFIED DIMENSIONS ARE IN INCHES.

UNLESS OTHERWISE SPECIFIED ALL TOLERANCES TO BE: .XX ±.02 .XXX ±.005 .X ±.005/in.	45 Aldrin Road, Plymouth, MA 02360 TEL 508-747-0300 • FAX 508-746-9639 sales@tech-etch.com • www.tech-etch.com
SCALE: 200%	CATALOG PROFILE: 250P110
DATE: 5-20-09	PART NAME: Stick-on Soft No-snap Fingers
CUSTOMER PART NUMBER:	