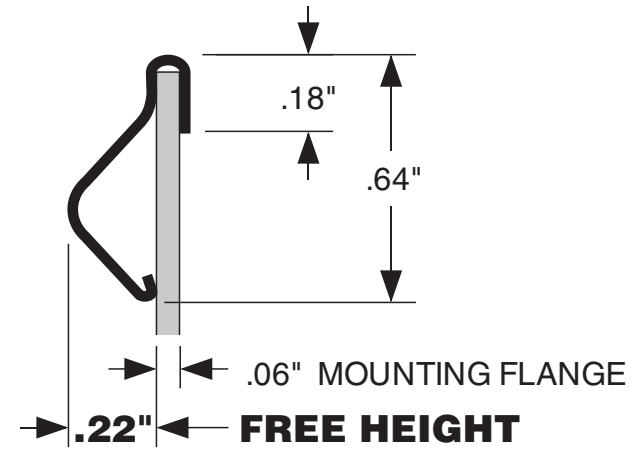
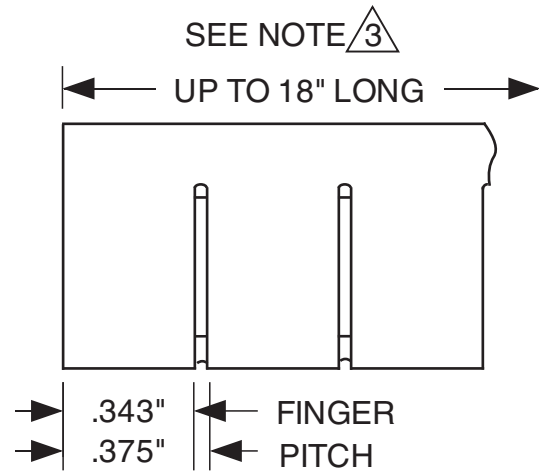


FINISH CODES

FILL IN SHADED AREAS TO COMPLETE THE PART DESCRIPTION




TECH-ETCH MANUFACTURING PART NUMBER

| | | | |
|--|---|----------|------------|
| 375P64C070 - - | | | |
| (PROFILE) | - | (LENGTH) | - (FINISH) |
| LENGTH CALCULATOR FOR PART NUMBER ABOVE | | | |
| CLICK HERE FOR STOCK LENGTH, OR ENTER NUMBER OF FINGERS HERE: | | | |

NOTES:

1. MATERIAL: ~~Al-10%Ni~~ BeCu, C17200 HARDENED.
2. FINISH: AS SPECIFIED - SEE TOP LEFT.
3. STRIPS MAY BE SUPPLIED CUT TO ANY FULL FINGER INCREMENT. ALLOWED LENGTHS = NUMBER OF FINGERS MINUS SLOT WIDTH.
4. UNLESS OTHERWISE SPECIFIED DIMENSIONS ARE IN INCHES.

| | |
|--|---|
| UNLESS OTHERWISE SPECIFIED ALL TOLERANCES TO BE: .XX ±.02 .XXX ±.005 .X ±.005/in. |  45 Aldrin Road, Plymouth, MA 02360 TEL 508-747-0300 • FAX 508-746-9639 sales@tech-etch.com • www.tech-etch.com |
| SCALE: <div style="text-align: center; font-size: 1.2em;">200%</div> | CATALOG PROFILE: <div style="text-align: center; font-size: 1.2em;">375P64C070</div> |
| DATE: <div style="text-align: center; font-size: 1.2em;">5/1/03</div> | PART NAME: <div style="text-align: center; font-size: 1.2em;">Clip-on Soft No-snap Fingers</div> |
| CUSTOMER PART NUMBER: | |