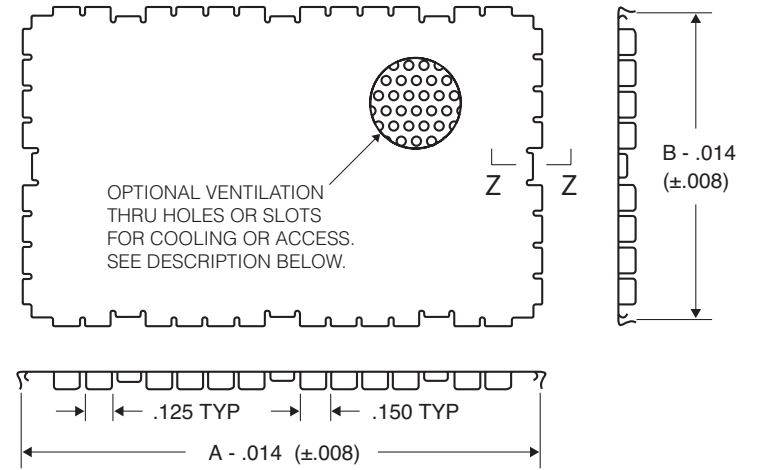
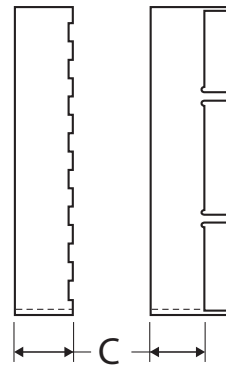
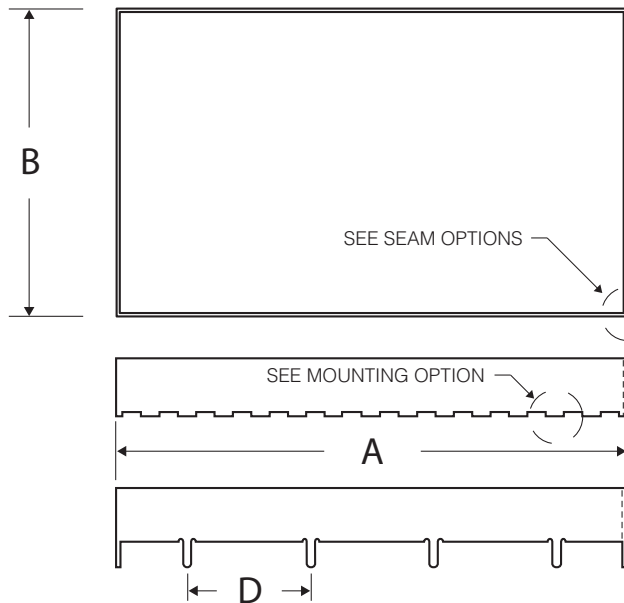


HIT ENTER AS YOU FILL IN THE SHADED AREAS TO COMPLETE THE STANDARD SHIELD DESCRIPTION



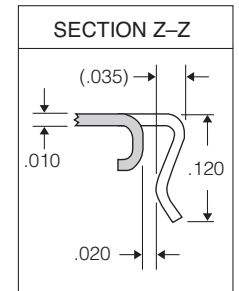
FILL IN DIMENSIONS		CLEAR
DIM A		
DIM B		
DIM C		
DIM D		
DIM E		
DIM F		

CHOOSE MATERIAL
Nickel Silver
Brass CDA 260
Steel 1010

CHOOSE FINISH
Bright Tin
Matte Tin
Tin Lead

CHOOSE MOUNTING OPTION	
STANDARD SURFACE MOUNT 	THROUGH HOLE MOUNT

CHOOSE SEAM OPTION	
WELD TAB 	SOLDER TAB



VENT OR ACCESS HOLES OR SLOTS	
NO	PLEASE DESCRIBE HERE:
YES	

DEPTH ETCHED PART NUMBER OR LOGO	
NO	PLEASE DESCRIBE HERE AND INCLUDE LOGO FILE WITH YOUR RFQ:
YES	

NOTES:

- MATERIALS: FENCE .015" 1/2 HARD BRASS, CDA 260;
COVER .010" FULL HARD BRASS, CDA 260.
- FINISH: 200 MICROINCHES MINIMUM, BRIGHT TIN PER ASTM B-545
- MEASURED IN A RESTRAINED CONDITION.
- THIS DRAWING IS FOR STANDARD TECH-ETCH BOARD LEVEL SHIELDS. OTHER CONFIGURATIONS AND OPTIONS ARE AVAILABLE. PLEASE CONTACT THE FACTORY FOR APPLICATION ASSISTANCE AND CUSTOM DESIGNS.
- SUGGESTED SOURCE OF SUPPLY:
TECH-ETCH, INC., 45 ALDRIN ROAD, PLYMOUTH, MA 02360

UNLESS OTHERWISE SPECIFIED:
 DIMENSIONS IN INCHES.
 TOLERANCES TO BE:
 .XX ±.015"
 .XXX ±.010"
 ANGLES ±3 DEG

SCALE: **NONE**

DOC. REVISION DATE:
10/4/18

Tech-Etch

Tech-Etch, Inc.
 45 Aldrin Road
 Plymouth, MA 02360
 TEL 508-747-0300 • FAX 508-746-9639
 photoetch@tech-etch.com • www.tech-etch.com

CUSTOMER / REF DOC:

DESCRIPTION:
STD. BOARD LEVEL SHIELD - FENCE/COVER

CUSTOMER PART NUMBER: