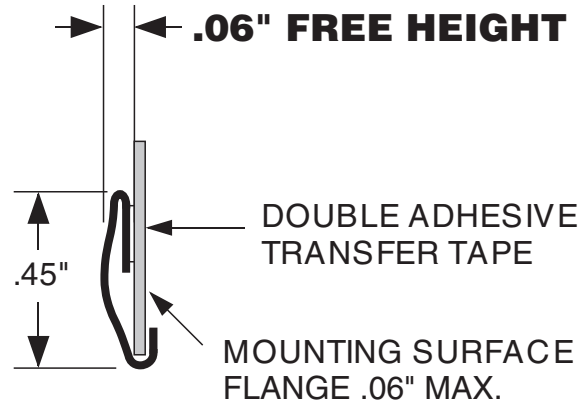
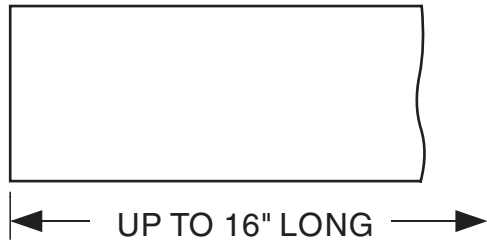


**FINISH CODES**

**FILL IN SHADED AREAS TO COMPLETE THE PART DESCRIPTION**



**TECH-ETCH MANUFACTURING PART NUMBER**

LP45H060-	-
(PROFILE) - (LENGTH) - (FINISH)	
CHOOSE STANDARD THICKNESS OR	"TF" THICKNESS

**NOTES:**

1. MATERIAL: ~~Al-17%BeCu~~ Al-17%BeCu, C17200 HARDENED.
2. FINISH: AS SPECIFIED - SEE TOP LEFT.
3. UNLESS OTHERWISE SPECIFIED DIMENSIONS ARE IN INCHES.

UNLESS OTHERWISE SPECIFIED ALL TOLERANCES TO BE:

- .XX ±.02
- .XXX ±.005
- .X ±.005/in.

**Tech-Etch**

45 Aldrin Road, Plymouth, MA 02360  
 TEL 508-747-0300 • FAX 508-746-9639  
 sales@tech-etch.com • www.tech-etch.com

SCALE:

200%

CATALOG PROFILE:

LP45H060

DATE:

5/1/03

PART NAME:

Stick-on Slotless Gasket

CUSTOMER PART NUMBER: