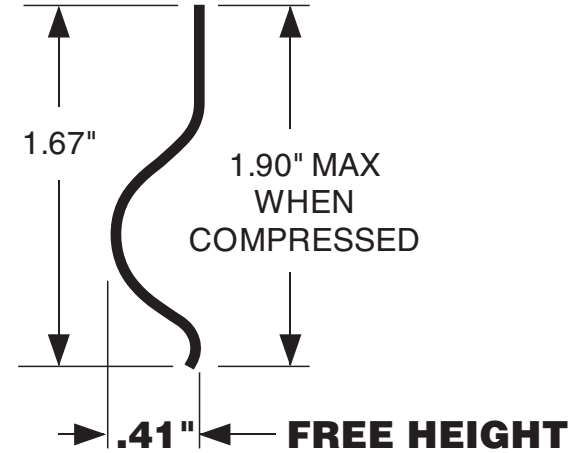
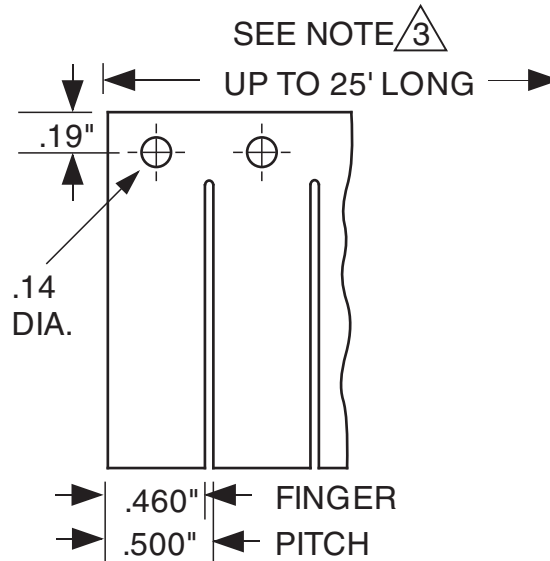


**FINISH CODES**

**FILL IN SHADED AREAS TO COMPLETE THE PART DESCRIPTION**



**TECH-ETCH MANUFACTURING PART NUMBER**

500A - -
(PROFILE) - (LENGTH) - (FINISH)
<b>LENGTH CALCULATOR FOR PART NUMBER ABOVE</b>
CLICK HERE FOR STOCK LENGTH, OR ENTER NUMBER OF FINGERS HERE:

**NOTES:**

1. MATERIAL .007" HEAVY DUTY STAINLESS STEEL.
2. FINISH: AS SPECIFIED - SEE TOP LEFT.
- $\triangle 3$  STRIPS MAY BE SUPPLIED CUT TO ANY FULL FINGER INCREMENT. ALLOWED LENGTHS = NUMBER OF FINGERS MINUS SLOT WIDTH.
4. UNLESS OTHERWISE SPECIFIED DIMENSIONS ARE IN INCHES.

UNLESS OTHERWISE SPECIFIED ALL TOLERANCES TO BE: .XX ±.02 .XXX ±.005 .X ±.005/in.	<b>Tech-Etch</b> 45 Aldrin Road, Plymouth, MA 02360 TEL 508-747-0300 • FAX 508-746-9639 sales@tech-etch.com • www.tech-etch.com
SCALE: <b>115%</b>	CATALOG PROFILE: <b>500A</b>
DATE: <b>5/1/03</b>	PART NAME: <b>Strip Gaskets</b>
CUSTOMER PART NUMBER:	