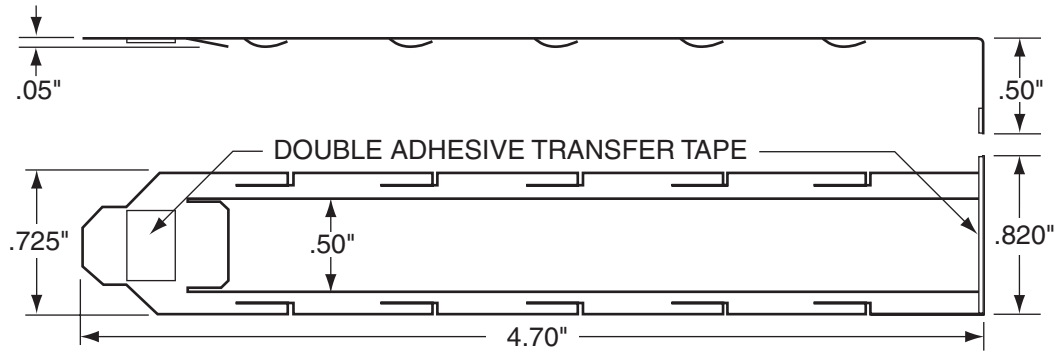


FILL IN SHADED AREA TO COMPLETE THE PART DESCRIPTION



NOTES:

1. MATERIAL STAINLESS STEEL .004" Thk.
2. UNLESS OTHERWISE SPECIFIED DIMENSIONS ARE IN INCHES.

UNLESS OTHERWISE
SPECIFIED ALL
TOLERANCES TO BE:

.XX ±.02
.XXX ±.005
.X ±.005/in.

Tech-Etch

45 Aldrin Road, Plymouth, MA 02360
TEL 508-747-0300 • FAX 508-746-9639
sales@tech-etch.com • www.tech-etch.com

SCALE:

100%

CATALOG PROFILE:

SS725EXS-2

DATE:

7-26-04

PART NAME:

Expansion Slot Gasket

CUSTOMER PART NUMBER: