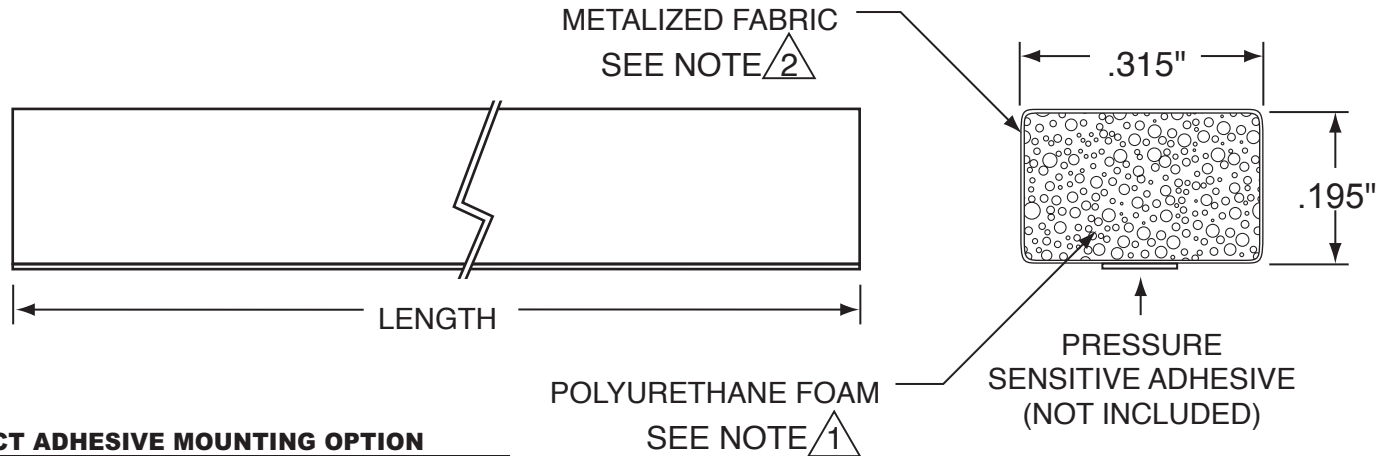


FILL IN SHADED AREAS TO COMPLETE THE PART DESCRIPTION



SELECT ADHESIVE MOUNTING OPTION

- WITH PRESSURE SENSITIVE ADHESIVE.
- WITHOUT PRESSURE SENSITIVE ADHESIVE.

FILL IN LENGTH IN INCHES BELOW

Fill in length to two decimals (LL.LL). Maximum 84.00 inches.
Non-essential leading zeros will be eliminated on the length.

TECH-ETCH MANUFACTURING PART NUMBER

2411 - 101 - 0181 -
 (PROFILE) - (LENGTH)

NOTES:

- 1 OPEN-CELLED POLYURETHANE FOAM CORE.
- 2 NICKEL PLATING OVER COPPER SUBSTRATE FABRIC.
3. COMPRESSION SET (ASTM D3574) 2.6%.
4. FLAMMABILITY RATING UL 94 V-RATED.
5. COMPRESSION DEFLECTION (ASTM D3574) 1.47 PSI.
6. SURFACE RESISTIVITY (ASTM F390) <.02 OHMS.
7. SERVICE TEMPERATURE -40°F TO 1J1 °F (-40°C TO J0°C).
8. UNLESS OTHERWISE SPECIFIED DIMENSIONS ARE IN INCHES.

UNLESS OTHERWISE SPECIFIED ALL TOLERANCES TO BE:
 HEIGHT & WIDTH
 <.100 ±.02
 >.100 ±.03
 LENGTH
 1 TO 6 ±.03
 6 TO 11 ±.05
 11 TO 24 ±.15
 24+ +1/-.25

Tech-Etch

45 Aldrin Road, Plymouth, MA 02360
 TEL 508-747-0300 • FAX 508-746-9639
 sales@tech-etch.com • www.tech-etch.com

SCALE:
 400%

CATALOG PROFILE:
 2411 - 101 - 0181

DATE:
 1/15/18

PART NAME:
 Rectangular Metalized Fabric Gasket

CUSTOMER PART NUMBER: