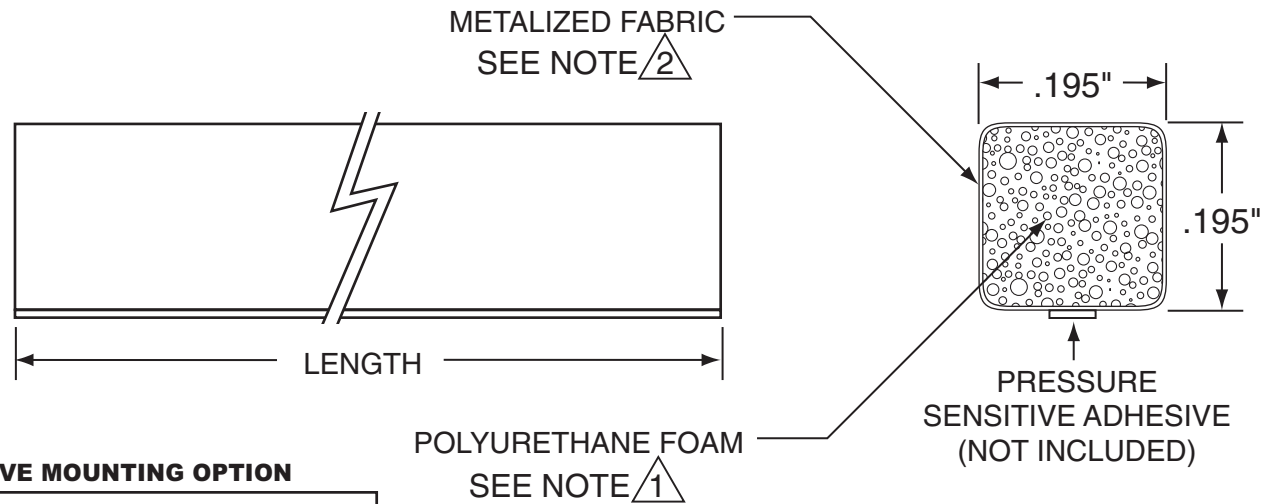


**FILL IN SHADED AREAS TO COMPLETE THE PART DESCRIPTION**



**SELECT ADHESIVE MOUNTING OPTION**

- WITH PRESSURE SENSITIVE ADHESIVE.
- WITHOUT PRESSURE SENSITIVE ADHESIVE.

**FILL IN LENGTH IN INCHES BELOW**

Fill in length to two decimals (LL.LL). Maximum 84.00 inches.  
**Non-essential leading zeros will be eliminated on the length.**

**TECH-ETCH MANUFACTURING PART NUMBER**

2421 - 101 - 0115 -  
 (PROFILE) - (LENGTH)

NOTES:

- ① OPEN-CELLED POLYURETHANE FOAM CORE.
- ② NICKEL PLATING OVER COPPER SUBSTRATE FABRIC.
- 3. COMPRESSION SET (ASTM D3574) 2.6%.
- 4. FLAMMABILITY RATING UL 94 V-RATED.
- 5. COMPRESSION DEFLECTION (ASTM D3574) 1.47 PSI.
- 6. SURFACE RESISTIVITY (ASTM F390) <.02 OHMS.
- 7. SERVICE TEMPERATURE -40°F TO 1J1 °F (-40°C TO J0°C).
- 8. UNLESS OTHERWISE SPECIFIED DIMENSIONS ARE IN INCHES.

UNLESS OTHERWISE SPECIFIED ALL TOLERANCES TO BE:  
 HEIGHT & WIDTH  
 <.100 ±.02  
 >.100 ±.03  
 LENGTH  
 1 TO 6 ±.03  
 6 TO 11 ±.05  
 11 TO 24 ±.15  
 24+ +1/-.25

**Tech-Etch**

45 Aldrin Road, Plymouth, MA 02360  
 TEL 508-747-0300 • FAX 508-746-9639  
 sales@tech-etech.com • www.tech-etech.com

SCALE:  
 500%

CATALOG PROFILE:  
 2421 - 101 - 0115

DATE:  
 1/15/18

PART NAME:  
 Square Metalized Fabric Gasket

CUSTOMER PART NUMBER: